

GHH-DS114 Stainless Steel 316 Recessed Handle

Features

- Suitable for harsh and high corrosive environment

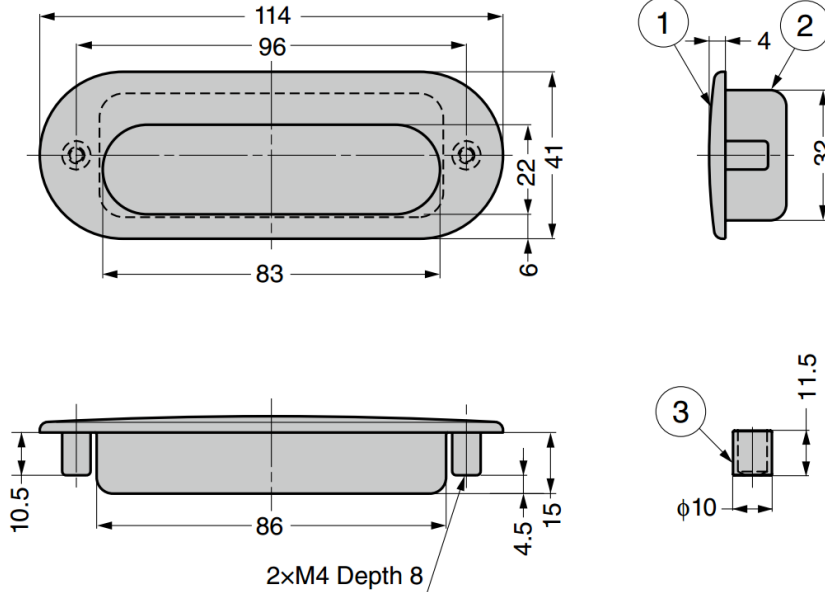
Parts Included

- Spacer
- For sheet metal t = 2: truss head tapping screw M4×8 (SUS)
- For wood panel t = 20: truss head tapping screw M4×15 (SUS)

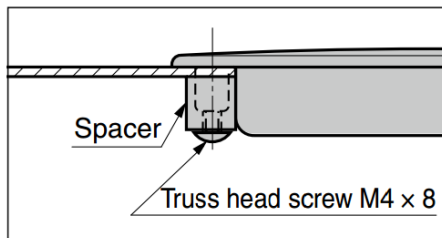


No.	Part Name	Material	Finish
①	Body	Stainless Steel (SCS14)	Polished/Satin
②	Cup	Stainless Steel (SUS304)	Satin
③	Spacer		-

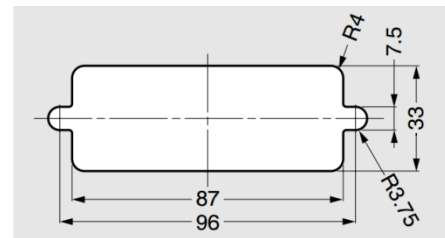
※SCS14 is equivalent of SUS316.



Installation



Cut Out Dimensions



Part No.	Finish
GHH-DS114M	Polished
GHH-DS114S	Satin